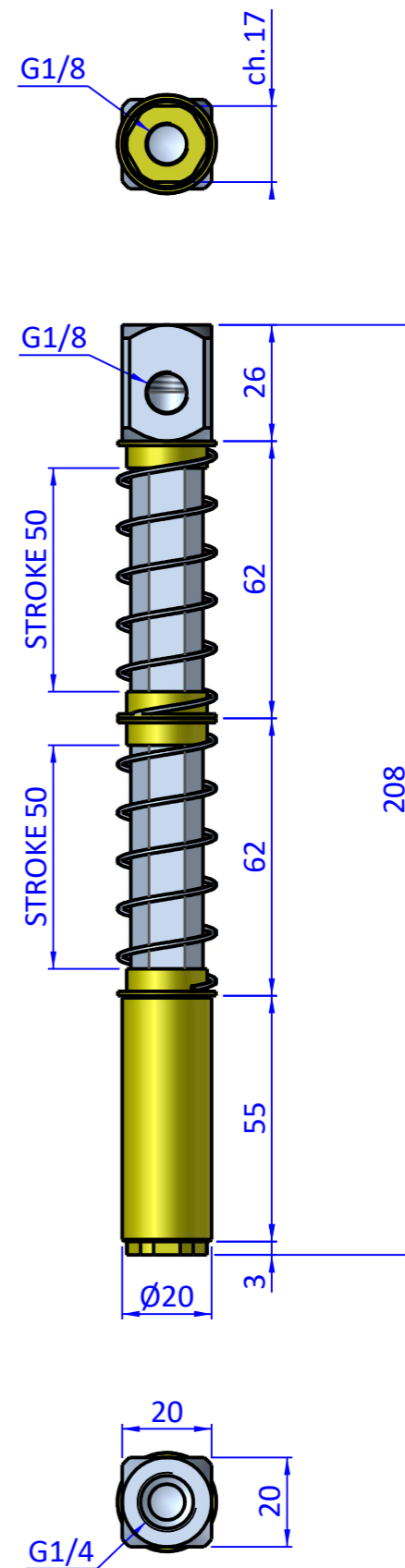
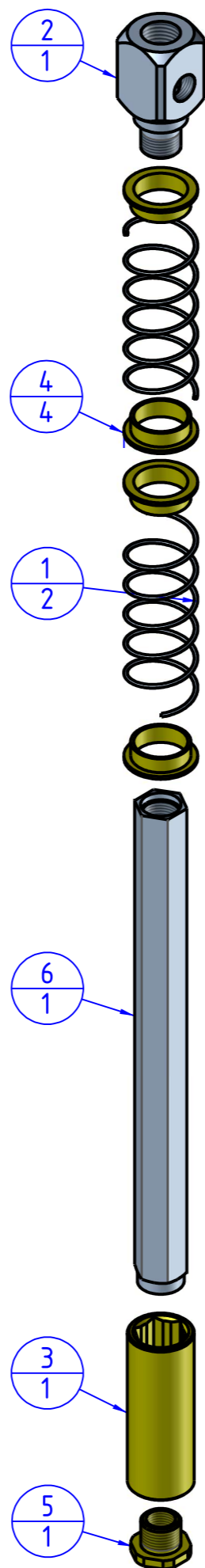



THE PROPERTY OF THE DRAWING IS ESTABLISHED BY LAW. IT IS FORBIDDEN TO PRODUCE OR SHOW IT TO THIRD PART, WITHOUT A WRITTEN AGREEMENT.

Item	Name	Q.ty
1	M.21x69	2
2	SAE.20141825.1	1
3	SAE.20141825.3	1
4	SAE.20141825.4	4
5	SAE.20141825.5	1
6	SAE.201418100.1	1



Format A3  
UNI 936-76

 FPS SERVICES AUTOMATION		DESIGNED FROM FPS Automation		REVIEW A	
		DATE 23/02/2022	WEIGHT 0,193kg		
GENERAL TOLERANCE UNI - ISO 2768 CLASSE f	DESCRIPTION CA.SAE.201418100		CODE CA.SAE.201418100		